

UHV Gate Valve with manual actuator

This manual is valid for the valve ordering numbers:

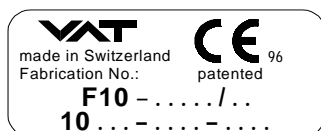
10836- . E01/08

10840- . E01/08

10844- . E01/08

10846- . E01/08

The respective product identification is given on each valve in the following way (or similar):



STOP

Read these «**Installation, Operating and Maintenance Instructions**» and the enclosed «**General Safety Instructions**» carefully before you start any other action.

Technical data

Pressure range	1 x 10 ⁻¹⁰ mbar to 1 bar (abs)
Differential pressure on the gate	1 bar in either direction
Max. differential pressure at opening	30 mbar
Admissible temperature: Valve	< 250°C open, 200°C closed
Manual actuator	< 250°C
Position indicator	< 80°C (option)
Position indicator	< 250°C (option)
Position indicator: Contact rating	5 A / 250 V AC, 3 A / 50 V DC (option)

Further data according to VAT catalogue «Vacuum Valves 2004».

Electrical connection (option)



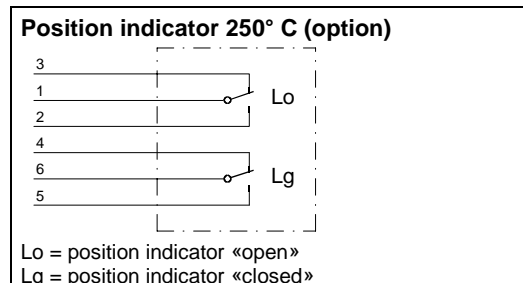
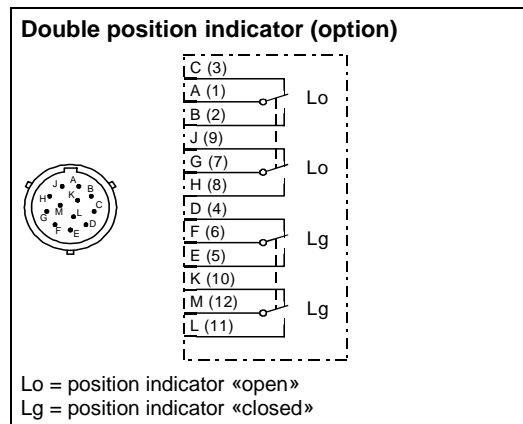
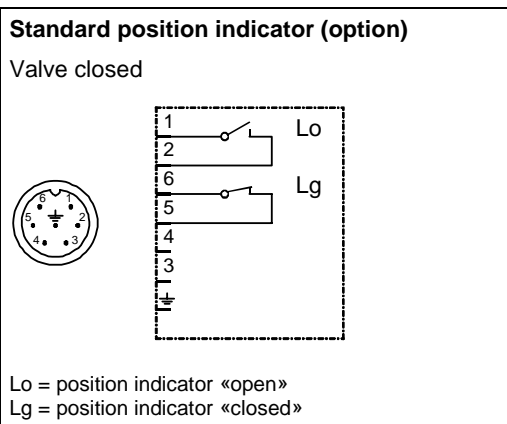
Do not touch any electrically charged parts!



Electrical power may only be connected if
 - valve has been installed into the vacuum system
 - moving parts cannot be touched

The socket for the position indicator is supplied with the valve.

Wire position indicator according to the following diagrams:



Valve is opened and closed by means of a manual spindle drive.

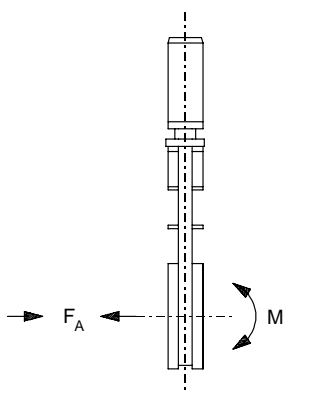
When closing the valve, fasten spindle manually in order to avoid self-loosening!

Admissible forces

Forces from evacuating the system, from the weight of other components, and from baking can lead to deformation of the valve body and to malfunction of the valve. The stress has to be relieved by suitable means, e.g. bellows sections. The following forces are admissible:

DN (nom. I.D.)		Axial tensile or compressive force «FA»		Bending moment «M»	
mm	inch	N	lbf	Nm	lbf • ft
63	2½	2000	448	80	59
100	4	2500	560	100	74
160	6	3000	672	150	110
200	8	3000	672	150	110

If a combination of both forces («FA» and «M») occurs, the values mentioned above are invalid. Please contact VAT for more information.



Trouble shooting

Leak at gate: Clean valve seat and gate!
 Replace gate if damaged!

Leak at body: Flanges leaktight?
 Replace bonnet seal!

Global leak at bonnet seal after heating the valve!

Due to a possible settlement of screw and VATSEAL it could happen that after a heat up and cool down procedure the bonnet seal becomes slight leaky. In this case please check the torque (see below) of bonnet screw (see page 6 item 61) and tighten the screws if necessary with a torque wrench.

Remark:
 Do tight screws crosswise!
 Necessary torque of screws is for
 DN63, DN100 and DN 160; 20 Nm /15 lbf • ft.
 DN200; 40 Nm / 30 lbf • ft.

Repairs

Contact VAT for repairs or maintenance. The fabrication No. (F10- /) marked on the valve body has always to be specified. It has to be individually decided whether the work can be performed by the customer or has to be carried out by VAT.

All supplies (e. g. electrical power) have to be disconnected for removal/installation of the valve from/into the system.



Keep fingers and objects away from the valve opening!

Products returned to VAT for repair have to be free of harmful substances such as e.g. toxic, caustic or microbiological ones. For radioactively contaminated products the customer has to fill in the VAT form «Contamination and Radiation Report» and to send it with the product. The form is available at VAT. The maximum permissible values indicated in the form must not be exceeded.

Maintenance

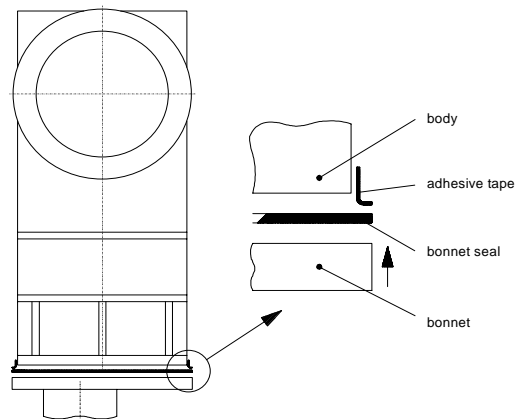
Replacement of actuator/mechanism assembly

The figures in brackets refer to the drawing on page 5

- Vent chambers and open valve
- Disconnect compressed air and electrical power from valve
- Remove screws (61) from bonnet in crosswise order
- Withdraw actuator/mechanism assembly carefully from body
- Check and clean sealing surfaces of bonnet and valve seat
- Put new bonnet seal (60) on body or bonnet (depending on mounting position). For «actuator downwards» assembling according to drawing beside.
- Reassemble in reverse direction

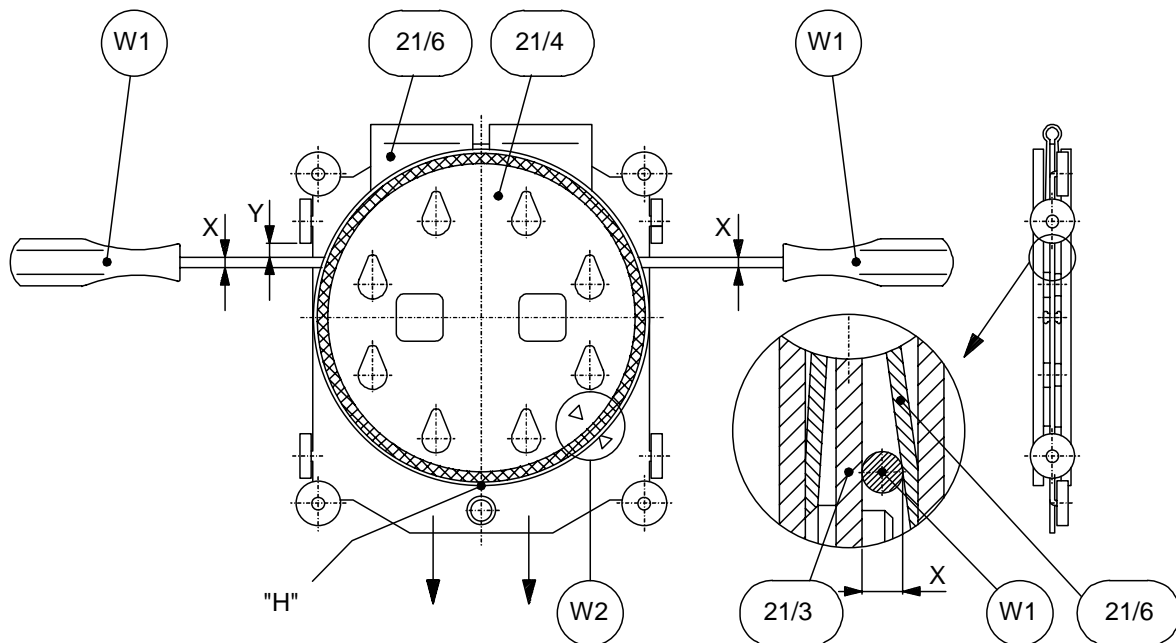
Note! Tighten screws in crosswise order!

Torque: DN 63 - 160	20 Nm / 15 lbf · ft
DN 200	40 Nm / 30 lbf · ft



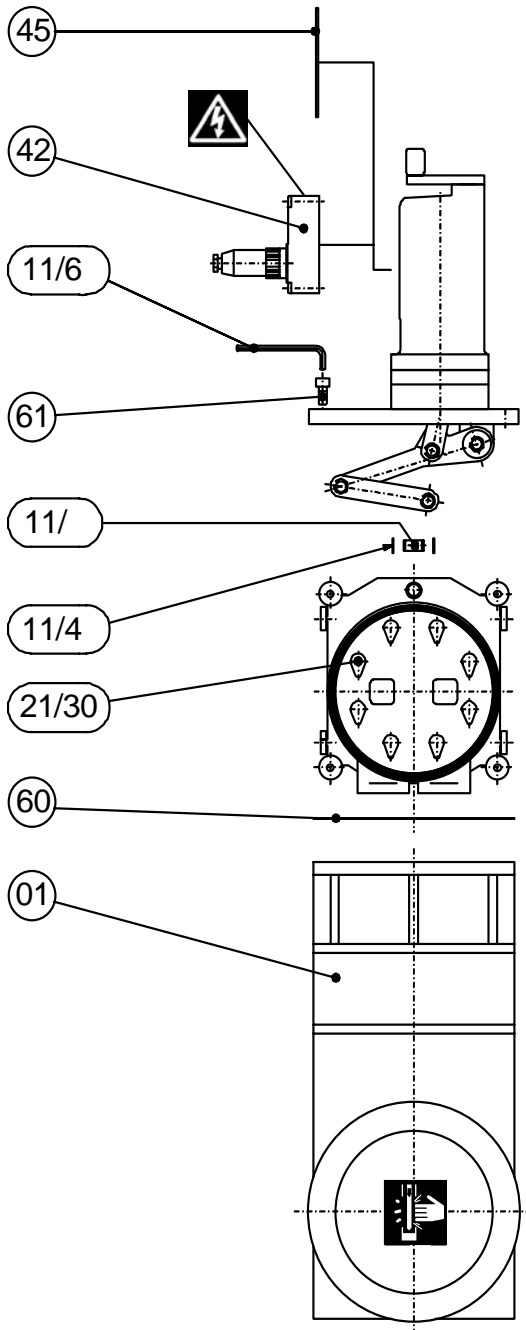
Replacement of gate

- Remove actuator/mechanism assembly as described in the section «Replacement of actuator/mechanism assembly»
- Put mechanism into horizontal position to prevent the locking balls from falling out
- Lift plate manually at «H» and insert tool (W1) [e.g. a screw driver] between spring (21/6) and ball guidance (21/3)
- Remove gate (21/4) in direction of the arrow
- Insert new gate in reverse direction
- Remove tool (W1)
- Check whether gate is inserted properly. The markings Δ and ∇ (W2) on ball guidance and gate must face each other.

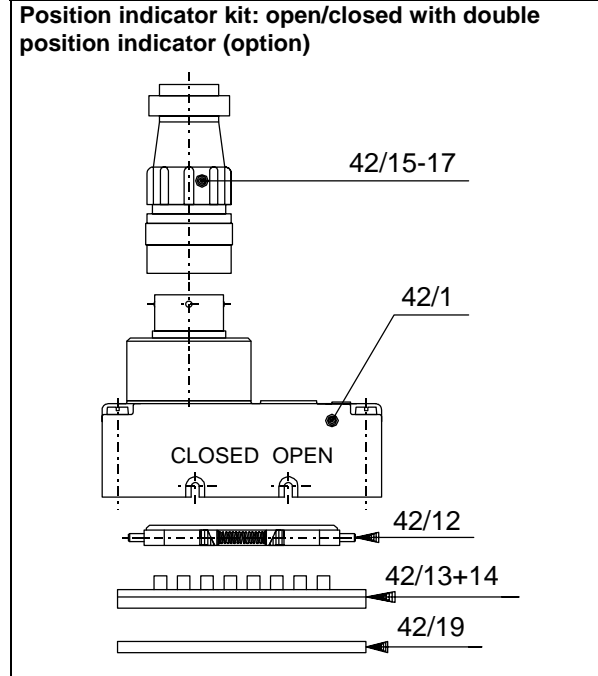
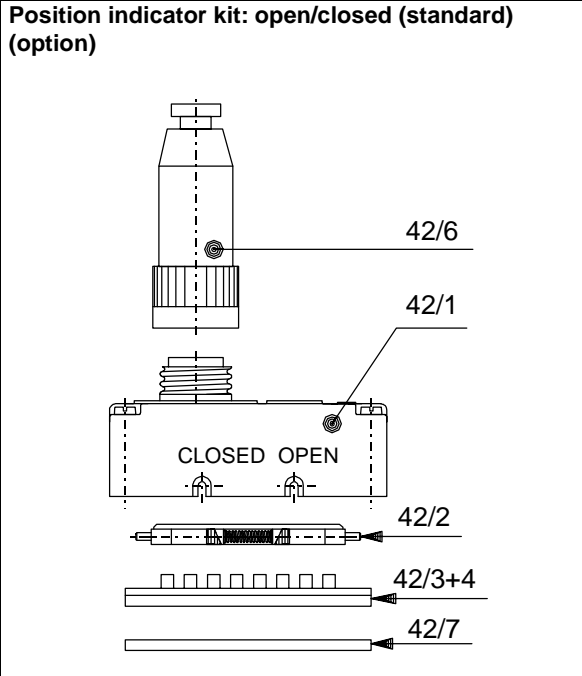


DN	mm inch	63 2½	100 4	160 6	200 8
X	mm inch	4.0 0.16	4.0 0.16	8.0 0.31	5.0 0.20
Y	mm inch	0.0 0.0	0.0 0.0	7.0 0.27	10.0 0.40

Spare parts



Item	Description	DN	Part No.
	Seal kit, consisting of: - gate (21/4) - bonnet seal (60)	63	82484-R1
		100	82485-R1
		160	82486-R1
		200	82487-R1
21/4	Gate	63	84065-R1
		100	80506-R1
		160	80510-R1
		200	79324-R1
21/30	1 set of locking balls	8 pcs	63 N-6121-044
		12 pcs	100 N-6121-044
		16 pcs	160 N-6121-044
		16 pcs	200 N-6121-052
60	Bonnet seal	63	63215-01
		100	63216-01
		160	93160-01
		200	63217-01



DN 63 - 160

Item	Description	Qty.	Part No.
	Position indicator kit	1	82861-R2
42/1	Position indicator	1	73649-R1
42/2	Slider	1	73638-R1
42/3	Strip	1	70987-01
42/4	Driving pin	2	70988-01
42/6	Plug	1	N-8504-002
42/7	Distance piece	2	82860-01

DN 63 - 160

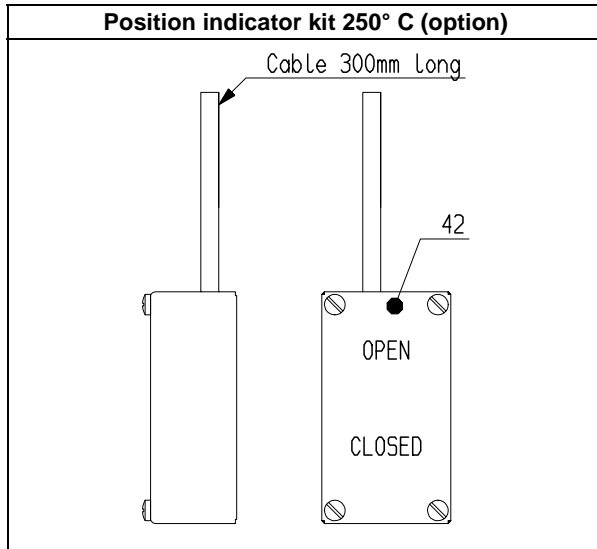
Item	Description	Qty.	Part No.
	Position indicator kit	1	85304-R1
42/1	Position indicator	1	85259-R1
42/12	Slider	1	73638-R1
42/13	Strip	1	70987-01
42/14	Driving pin	2	70988-01
42/15	Bushing	12	N-E503-100
42/16	Plug	1	N-E503-023
42/17	Cable pull relief	1	N-E503-043
42/19	Distance piece	2	82860-01

DN 200

Item	Description	Qty.	Part No.
	Position indicator kit	1	81045-R1
42/1	Position indicator	1	73649-R1
42/2	Slider	1	73638-R1
42/3	Strip	1	70987-01
42/4	Driving pin	2	70988-01
42/6	Plug	1	N-8504-002

DN 200

Item	Description	Qty.	Part No.
	Position indicator kit	1	85304-R1
42/1	Position indicator	1	85259-R1
42/12	Slider	1	73638-R1
42/13	Strip	1	70987-01
42/14	Driving pin	2	70988-01
42/15	Bushing	12	N-E503-100
42/16	Plug	1	N-E503-023
42/17	Cable pull relief	1	N-E503-043



DN 63 - 200			
Item	Size of valve	Qty.	Part No.
42	DN 63	1	88870-R1
42	DN 100	1	84246-R1
42	DN 160	1	87505-R1
42	DN 200	1	67482-R1

Warranty

Each product sold by VAT Vakuumentile AG (VAT) is warranted to be free from the manufacturing defects that adversely affect the normal functioning thereof during the one-year period immediately following delivery thereof by VAT, provided that the same is properly operated under conditions of normal use and that regular, periodic maintenance and service is performed or replacements made, in accordance with the instructions provided by VAT. The foregoing warranty shall not apply to any product or component that has been repaired or altered by anyone other than an authorized VAT representative or that has been subject to improper installation or abuse, misuse, negligence or accident. VAT shall not be liable for any damage, loss, or expense, whether consequential, special, incidental, direct or otherwise, caused by, arising out of or connected with the manufacture, delivery (including any delay in or failure to deliver), packaging, storage or use of any product sold or delivered by VAT shall fail to conform to the foregoing warranty or to the description thereof contained herein, the purchaser thereof, as its exclusive remedy, shall upon prompt notice to VAT of any such defect or failure and upon the return of the product, part or component in question to VAT at its factory, with transportation charges prepaid, and upon VAT's inspection confirming the existence of any defect inconsistent with said warranty or any such failure, be entitled to have such defect or failure cured at VAT's factory and at no charge therefor, by replacement or repair of said product, as VAT may elect. VAT MAKES NO WARRANTY OR REPRESENTATION OF ANY KIND, EXPRESS OR IMPLIED, (INCLUDING NO WARRANTY OR MERCHANTABILITY), EXCEPT FOR THE FOREGOING WARRANTY AND THE WARRANTY THAT EACH PRODUCT SHALL CONFORM TO THE DESCRIPTION THEREOF CONTAINED HEREIN, and no warranty shall be implied by law.

Furthermore, the «Terms of sale» at the back of the price list are applicable.